

Small Rubber Mountings

Type SRM



SRM mountings are designed for light duty applications which still require a high degree of vibration and noise attenuation at medium to low frequencies.

High resilience rubber with low dynamic to static stiffness ratio ensures maximum efficiency, good creep performance and long service life.

These mountings have a very low profile suitable for restricted height applications.

Also suitable for Shock isolation. For example to protect instruments, measuring apparatus, scales and other sensitive equipment.

Design Features

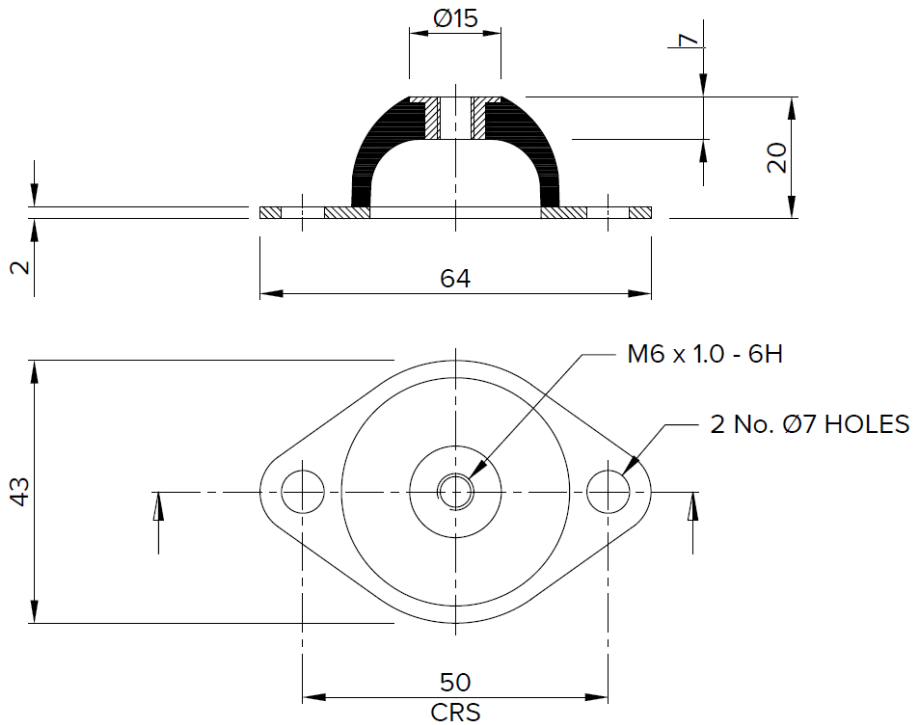
- Moulded in first grade natural rubber.
- Available in two rubber compounds, 40° and 60°.
- Static deflections up to 2.5 mm and loads from 1 kg to 7 kg.

Typical Applications

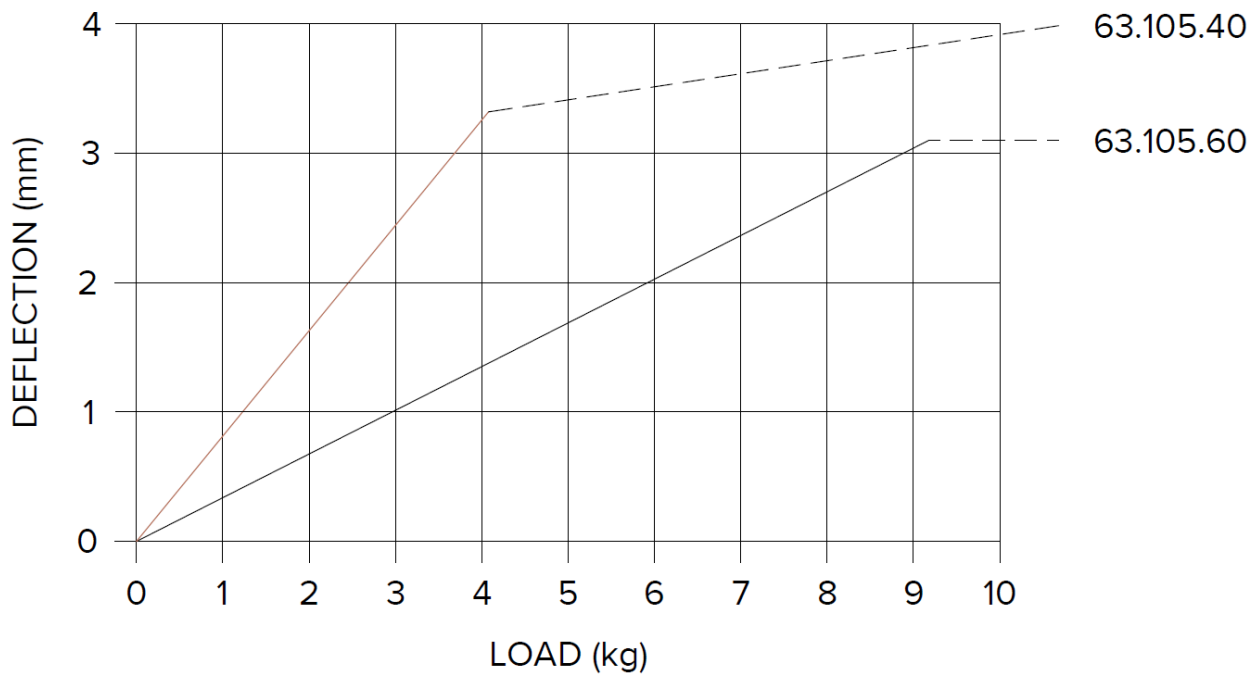
- Light Duty Fans.
- Electric Motors.
- Instrument Panels.
- Measuring Apparatus.
- Scales.
- Sensitive Equipment.
- Other light Industrial Applications.



SMALL RUBBER MOUNTINGS PT NO. 63.105.40 & 63.105.60



LOAD/DEFLECTION CHARACTERISTICS
FOR SMALL RUBBER MOUNTS



Small Rubber Mountings should not be used in tension or exposed to contamination by mineral oils.

For full installation instructions please refer to our data sheet DS010.

For more detailed information and technical assistance please contact our Technical Department.

In the interests of continual development, the Company reserve the right to make modifications to these details without notice.



Christie & Grey Ltd
Morley Road,
Tonbridge, Kent
TN9 1RA, England

T: +44 (0)1732 371100
E: sales@christiegrey.com
W: www.christiegrey.com

