

TECHNICAL DATA SHEET

DS 092

NON CONTROLLED UNLESS STATED OTHERWISE

PAGE	1 of 2
ISSUE	4
DATE	21 May 2019
APPROVED	P.J.B

TITLE. Installation instructions for TSC T10 isolators supplied with height adjusters.

The TSC T10 isolators should be installed generally in accordance with the following procedure:

1. The structure beneath the machines should be constructed to form a rigid and reasonably level seating for each group of isolators. The purpose of the height adjuster is to level the machine frame and provide some adjustment of isolator loadings. See figure 1 for isolator height and adjustment capability.

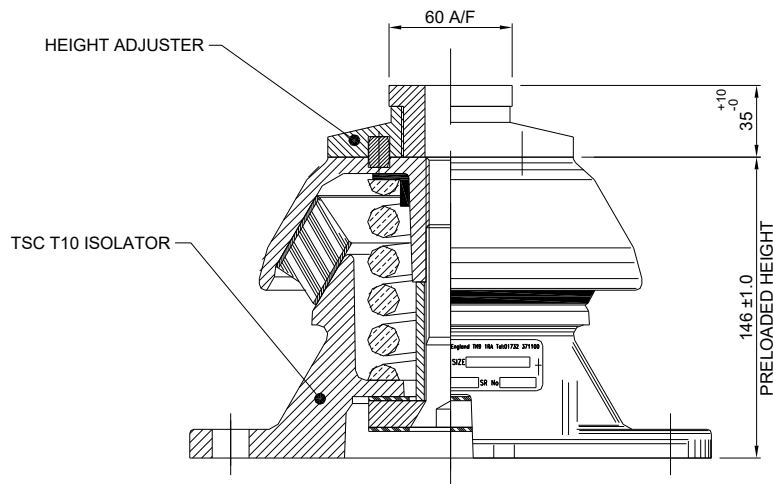
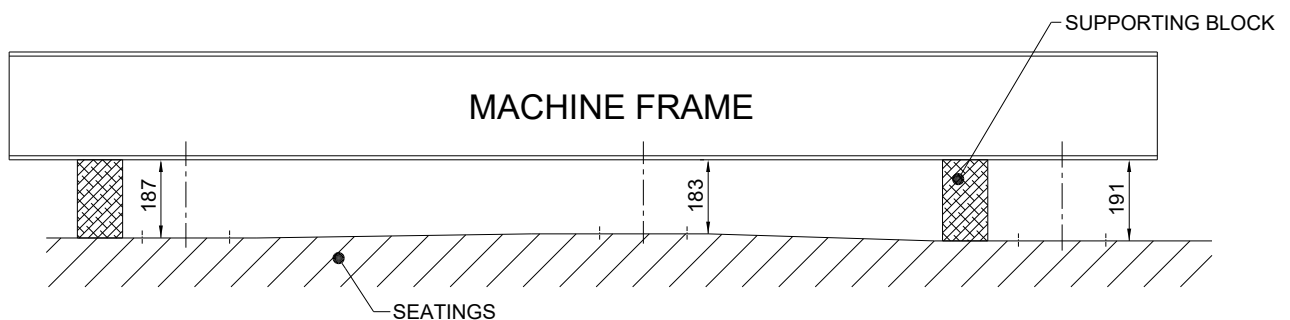


Figure 1

2. The isolators should be examined to ensure they are of the correct size and variant. If appropriate, the positions for different variant should be located in accordance with our recommendations or drawings.
3. Position blocks to support the machine in a level state with the smallest mounting space set at 183 mm high. This value is based upon the seating being out no more than 9 mm from highest to lowest point within the isolator envelope, see example in figure 2.

Figure 2



TECHNICAL DATA SHEET

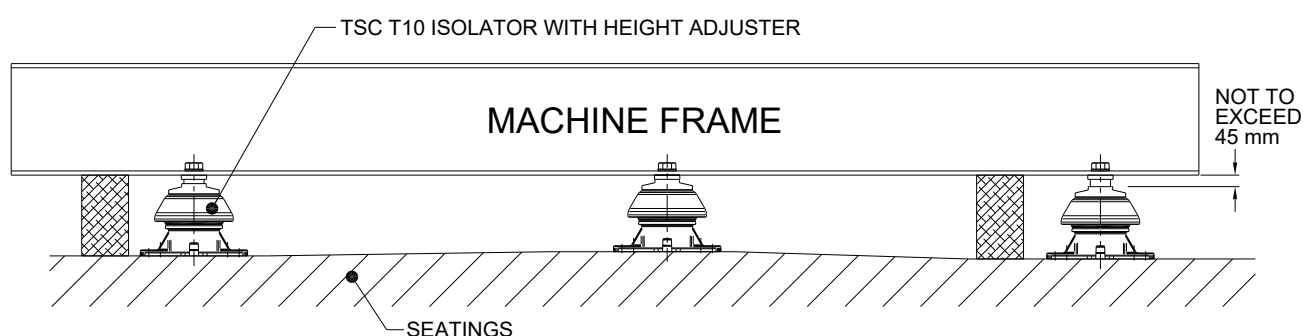
DS 092

NON CONTROLLED UNLESS STATED OTHERWISE

PAGE	2 of 2
ISSUE	4
DATE	21 May 2019
APPROVED	P.J.B

TITLE. Installation instructions for TSC T10 isolators supplied with height adjusters.

4. Locate the TSC T10 isolators (including height adjusters) between the machine frame and seating. Loosely engage isolator top and bottom hold down fixing bolts to ensure alignment of height adjusters and isolators. Turn the upper portion of the adjuster, so that all height adjusters are touching the underside of the machine frame. See example in figure 3. At no stage during the installation procedure should the height adjuster exceed 45 mm in height.



See Figure 3.

5. Raise the machine on jacks in order to remove the block supports and then release the jacks evenly to transfer the machine weight onto the isolators.
6. Fully engage the isolator fixing bolts. Note: Isolator fixing bolts must not strain the isolator in any direction. The isolators are not designed to accommodate angular misalignment, variations in level, excessive horizontal forces or tensile forces. (Fixing bolts supplied by others).

It is recommended that isolator top fixing bolts material grade 8.8 (supplied by others) be tightened to their correct torque values.

Note these isolators are not designed for tensile or shear loading applications, and should only be installed in accordance with our recommendations.

The efficiency of an isolator system can be seriously impaired if the system is connected to rigid pipes, electrical conduits, ducts or shafts. It is essential that such external connections be as flexible as possible, not only to prevent transmission of vibration through the connections and allow the system freedom of movement, but also to avoid possible failure of the connections.



Christie & Grey
SINCE 1914

Morley Road, Tonbridge, Kent TN9 1RA, England
Telephone : +44 (0) 1732 371100
E-mail : sales@christiegrey.com
web site: www.christiegrey.com

