

# TECHNICAL DATA SHEET

## DS 071

NON CONTROLLED UNLESS STATED OTHERWISE

PAGE	1 of 2
ISSUE	6
DATE	20 May 2019
APPROVED	A.N.M

TITLE. Instructions for the Measurement of Mounting Heights.

This procedure may be applied to most mounting types including:

Type	Leaflet No.
Cushyfloat	PL022
Genflex Marine	PL002
MPM	PL010
TSC	PL001

- Each mounting listed is manufactured with an internal stop unit which fixes the unloaded height within a narrow tolerance band. Most are pre-compressed by the stop unit to a known load (either by design or by testing at our works) and therefore the initial working height can provide a reasonable measure of the load applied to the mounting. Alternatively, the amount of creep over the years can be directly measured and compared to the initial deflection.
- Mountings are flexible and so will generally take up the space available to them between the machine frame and the seating. However they are not designed to work efficiently with the seating faces out of parallel or with significant height differences between adjacent mountings.
- To determine the accuracy of the installation the mounting heights and the angle between the seating faces should be measured to about  $\pm 0.05$  mm (about 1% of the effective static deflection). Usually any casting, resin chock and rolled steel frame member surfaces cannot be used with the desired accuracy. Consult DS094 for illustrations of standard reference points for mount height measurement.
- Measurement at 4 positions, at the corners of the mounting, will enable the average height and the angle across the mounting to be determined. Each measurement should be as close to the mounting as possible.
- The measurement should be from the upper to the lower machined faces of the mounting. Usually this is impractical but a reading can be taken between the mounting soleplate and the machine foot. The thickness of any plates or shims included should be stated to permit the true height of the mounting to be calculated. If the shims are tapered the dimensions should be recorded. Usually Christie & Grey are not aware of the thicknesses of the shims or plates used. See Figure 1.
- The results are best presented on a chart showing all the measurements, the shim thicknesses and a diagram of the positions measured.

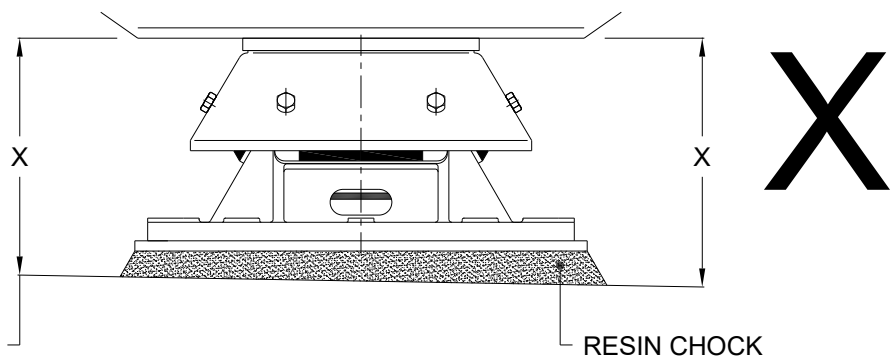
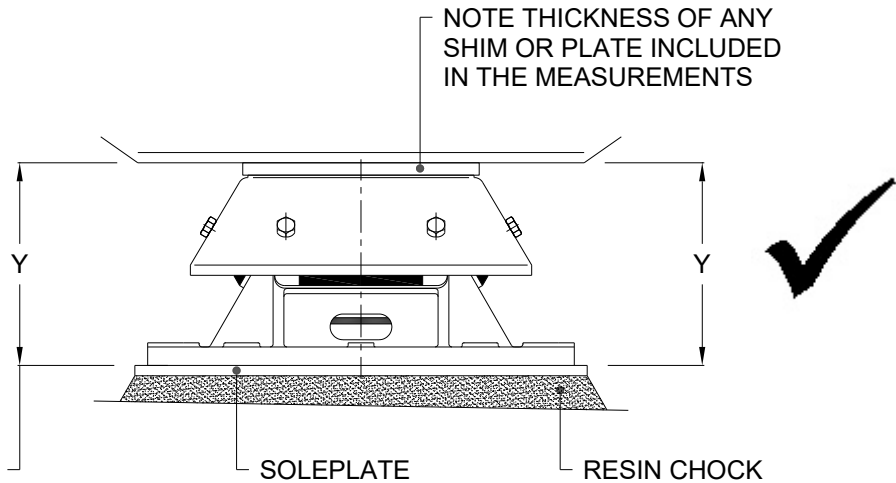
# TECHNICAL DATA SHEET

## DS 071

NON CONTROLLED UNLESS STATED OTHERWISE

PAGE	2 of 2
ISSUE	6
DATE	20 May 2019
APPROVED	A.N.M

TITLE. Instructions for the Measurement of Mounting Heights.



Please contact our Technical Department at the address below if you have any problems relating to installation or selection.



**Christie & Grey**  
SINCE 1914

Morley Road, Tonbridge, Kent TN9 1RA, England  
 Telephone : +44 (0) 1732 371100  
 E-mail : sales@christiegrey.com  
 web site: www.christiegrey.com

