

# TECHNICAL DATA SHEET

## DS 025

NON CONTROLLED UNLESS STATED OTHERWISE

PAGE	1 of 3
ISSUE	8
DATE	15 May 2019
APPROVED	A.N.M

TITLE.	Installation Instructions for Open Restrained Spring Isolators Type ORS25/2, ORS25/4, ORS50/2 and ORS50/4
--------	---

Details of isolators as Leaflet PL005

Each size of isolator is identified by the colour coded spring.

The isolators should be installed generally in accordance with the following procedure:

1. The structure beneath the machine should be constructed to form a rigid and reasonably level seating for each group of isolators.
2. The isolators should be examined to ensure they are of the correct size, and if appropriate, the positions for different sizes should be located in accordance with our recommendations or drawings.
3. After the isolators are in position, the machine base should be levelled and supported just clear of the isolator tops using jacks or blocks, ensuring alignment between upper isolator adjustment screw and machine base fixing holes.
4. At this stage isolator H.D. bolts can be loosely fitted to maintain isolator positions during final lowering of machine base, but it is important these do not strain the isolator in any direction (H.D. bolts supplied by others).
5. Isolator height should now be adjusted until contact with the underside of the machine frame is made. To do this it will be necessary to release the restraining nuts on either side of the isolator and set them at an approximate clearance height of 10mm (See Figure 1). The upper adjustment locknut should then be released with the upper adjustment screw turned clockwise, raising the isolator top plate until contact with the underside of the machine base.

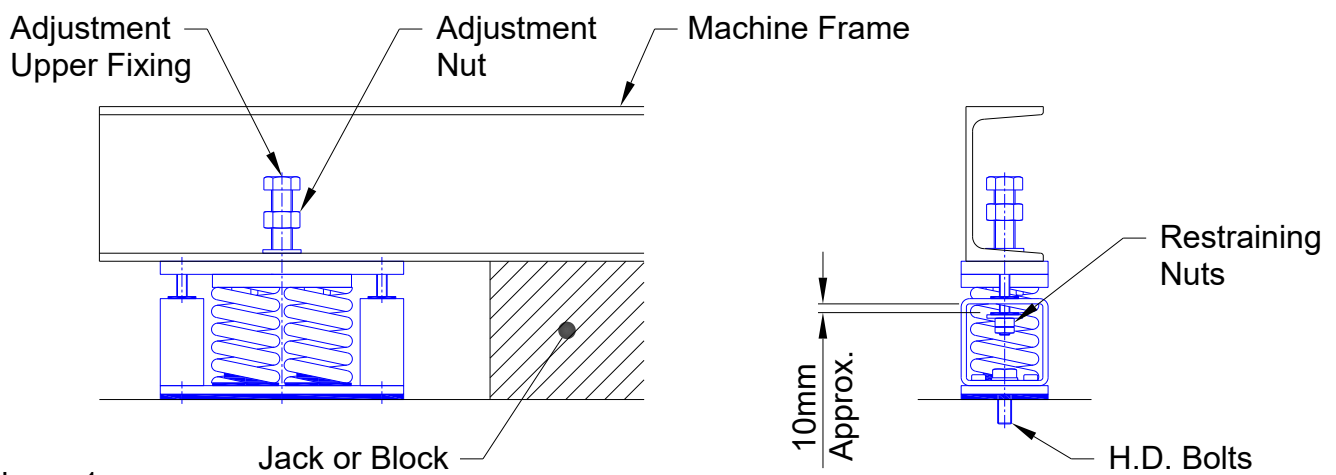


Figure 1

# TECHNICAL DATA SHEET

## DS 025

NON CONTROLLED UNLESS STATED OTHERWISE

PAGE	2 of 3
ISSUE	8
DATE	15 May 2019
APPROVED	A.N.M

TITLE.	Installation Instructions for Open Restrained Spring Isolators Type ORS25/2, ORS25/4, ORS50/2 and ORS50/4
--------	---

**Note:** If isolators have been preloaded before installation (see Note 9), no adjustment must be made until full machine load has been transferred to isolators. Variations in heights should be taken out using steel or other solid packing (see Note 8).

6. After removal of blocks, the machine base can be carefully lowered evenly across supported area transferring full weight to the isolators. Further machine height adjustment can be achieved by adjustment of the upper isolator screw (clockwise - up, anticlockwise - down), but isolator must not be adjusted above free height as detailed on our Leaflet PL005 in its loaded condition.

Isolator H.D. bolts and upper adjustment locknuts should now be fully tightened.

7. Isolator restraining nuts can now be adjusted to provide a minimum of 3 mm clearance, as shown on Figure 2.

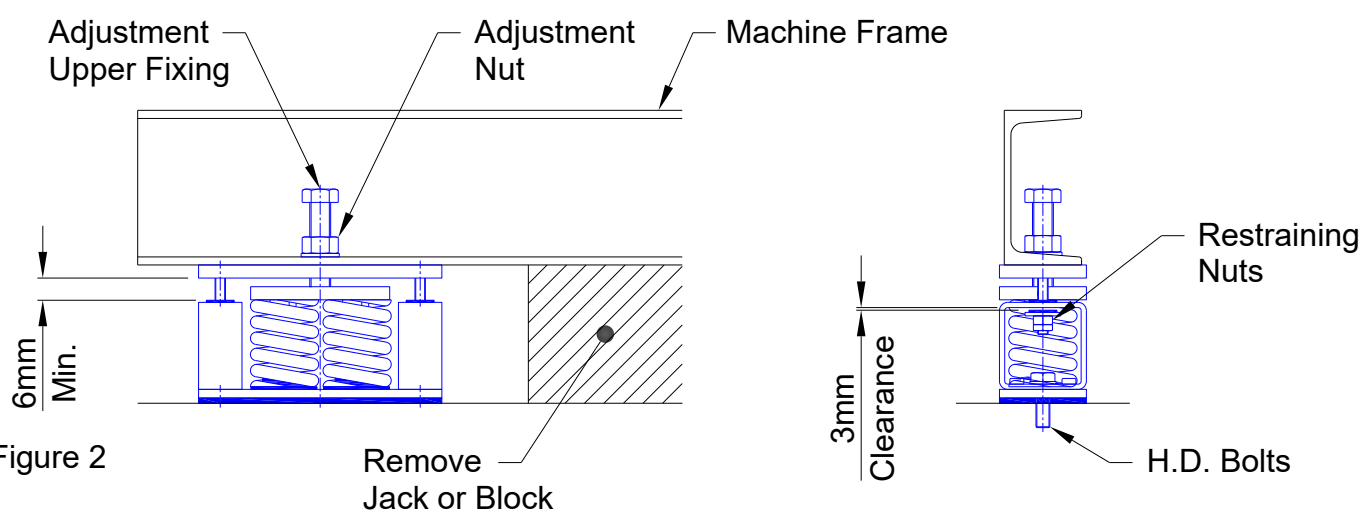


Figure 2

8. Adjustments must not be used to rectify major variations in floor levels, i.e. greater than 5mm between isolator positions. Steel or other solid packing should be used between the mounting and machine frame or in extreme cases on concrete floors a new screed may be necessary.
9. Isolators may be preloaded on site by winding up the restraining nuts each side of the isolator. Preload should not exceed 20 mm on ORS25 range and 40 mm on ORS50. This preloading can be used to reduce downward movement of cooling towers when filling equipment with liquid.

# TECHNICAL DATA SHEET

## DS 025

**NON CONTROLLED UNLESS STATED OTHERWISE**

PAGE	3 of 3
ISSUE	8
DATE	15 May 2019
APPROVED	A.N.M

TITLE.	Installation Instructions for Open Restrained Spring Isolators Type ORS25/2, ORS25/4, ORS50/2 and ORS50/4
--------	---

10. Note isolators are not designed to accommodate angular misalignment, excessive horizontal or tensile forces, and must not be used for tensile or sheer loading applications.
11. The efficiency of an isolator system can be seriously impaired if the system is connected to rigid pipes, electrical conduits, ducts or shafts. It is essential that such external connections be as flexible as possible, not only to prevent transmission of vibration through the connections and allow the system freedom of movement, but also to avoid possible failure of connections.
12. For use in adverse outdoor locations or corrosive atmospheres, some additional protection may be required (please consult our Technical Department about problem installation areas).

Please contact our Technical Department at the address below if you have any problems relating to installation or selection.



**Christie & Grey**  
SINCE 1914

Morley Road, Tonbridge, Kent TN9 1RA, England  
Telephone : +44 (0) 1732 371100  
E-mail : sales@christiegrey.com  
web site: www.christiegrey.com

